

# SPECIALTY PRODUCTS

## WCSY/WSSY Series Y-Type Strainers- Carbon Steel/Stainless

Watson McDaniel reserves the right to change the designs and/or materials of its products without notice.  
©2002 Watson McDaniel Company

Revised 9/2004

Model	<b>WCSY, WSSY</b>
Sizes	<b>1/2", 3/4", 1", 1 1/4", 1 1/2", 2"</b>
Connections	<b>NPT, SW</b>
Body Material	<b>Carbon Steel (WCSY) Stainless Steel (WSSY)</b>

### PRESSURE/TEMPERATURE RATINGS

Carbon Steel NPT 600 PSIG @ 839°F  
Stainless Steel NPT 600 PSIG @ 1124°F

### TYPICAL APPLICATION

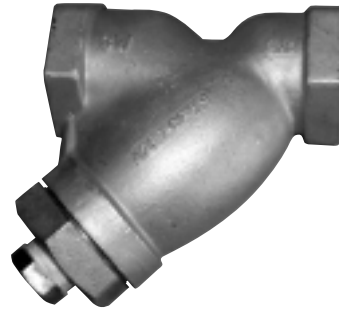
The **WCSY/WSSY** Y-Strainers are used to strain dirt particles from fluid in pipe lines and provide inexpensive protection for costly pumps, meters, valves, traps, turbines, and compressors.

### FEATURES

- **Machined seat assures perfect fit for screen**
- **Blow-off connection & easily removable stainless steel cylindrical screens for easy maintenance**
- **Choice of carbon steel or stainless steel bodies**

### INSTALLATION

The strainer should be installed in the flow direction as indicated on the body in either a vertical down or horizontal pipeline. The strainer must be accessible for periodic cleaning.



### MATERIALS

#### WCSY CARBON STEEL MODEL

Body	Carbon Steel, A216 GR WCB
Plug	Carbon Steel, A216 GR WCB
Cover	Carbon Steel, A216 GR WCB
Screen	Stainless Steel
Gasket	Blue Guard

#### WSSY STAINLESS STEEL MODEL

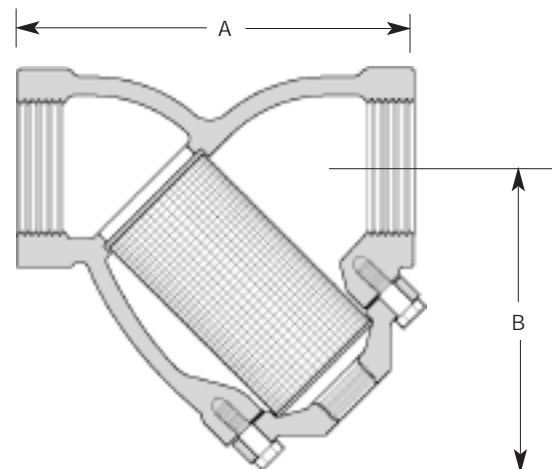
Body	Stainless Steel, A351 GR CF8M
Plug	Stainless Steel, A351 GR CF8M
Cover	Stainless Steel, A351, GR CF8M
Screen	Stainless Steel
Gasket	Blue Guard

### HOW TO ORDER

Specify connection size and connection configuration (NPT or flanged) that will meet application requirements.

### DIMENSIONS – inches / pounds

Size	A	B	Blowdown	Weight (lbs)	Screen Area
1/2"	3 1/4	2 3/16	1/4	4	5.4
3/4"	3 5/8	2 3/4	1/4	5	8.7
1"	4 1/4	3 3/16	1/2	6	12.7
1 1/4"	5 1/4	3 7/8	1/2	8	18.1
1 1/2"	6 1/4	4 3/4	1/2	10	25.3
2"	7 5/8	6	1/2	18	39.2



SPECIALTY