

SPECIALTY PRODUCTS

AV2000C

Thermostatic Air Vent

Watson McDaniel reserves the right to change the designs and/or materials of its products without notice.
©2004 Watson McDaniel Company

Revised 9/2004

Model	AV2000C
Sizes	1/2", 3/4"
Connections	NPT
Body Material	Stainless Steel
PMO Max. Operating Pressure	650 PSIG
TMO Max. Operating Temperature	Saturated Steam Temp.
PMA Max. Allowable Pressure	1032 PSIG @ 100°F
TMA Max. Allowable Temperature	750°F @ 800 PSIG



TYPICAL APPLICATION

The **AV2000C** is used on industrial steam applications up to 650 PSIG for the removal of air and non-condensable gases from process equipment, vessels and piping.

HOW IT WORKS

The thermostatic air vent contains a welded stainless steel thermal element that expands when heated and contracts when cooled. When air and non-condensable gases are present, the valve is in the open discharge position. When steam reaches the air vent the element expands and closes valve off tightly.

FEATURES

- Welded stainless steel thermal element
- Hardened stainless steel seat and disc for extended service life
- Integral strainer to protect from contamination
- Steam pressures up to 650 PSIG

SAMPLE SPECIFICATION

Air Vent shall have a thermal element operation with a seal-welded tamper-proof stainless steel construction. All internals shall be stainless steel featuring an integral strainer and hardened seating system.

INSTALLATION

The air vent should be located at a high point in the system or vessel. The air vent can be installed in any orientation. Isolation valve should be installed to facilitate removal and replacement without system shut-down. Unit is seal-welded and non-repairable.

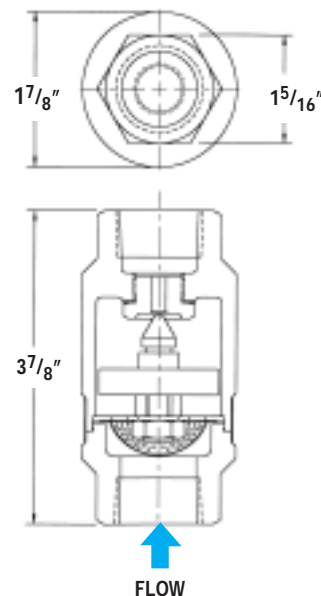
MATERIALS

Housing	Stainless Steel, ASTM A351-CF3
Thermal Element	Stainless Steel
Valve & Seat	Hardened Stainless Steel, 40 Rc
Strainer Screen .033" perf.	Stainless Steel

HOW TO ORDER

Specify model, pipe size and orifice size. If orifice size is not specified, the standard 5/16" diameter will be used.

DIMENSIONS



AIR CAPACITIES – (scfm)

Model	Orifice	PMO PSI	Inlet Pressure (PSIG)																	
			2	5	10	25	50	100	125	150	200	250	300	350	400	450	500	550	600	650
AV2001C	3/16"	650	5.2	6.2	7.7	12.4	20.2	35.9	43.9	51.5	67.2	82.8	98.5	114	130	145	161	177	192	208
AV2003C	5/16"	650	10.7	12.6	15.8	25.4	41.4	73.3	89.4	105	137	169	201	233	265	297	329	361	393	425