

SPECIALTY PRODUCTS

AE1800 Series

Air Eliminator

Revised 9/2004

Model	AE1800, AE1800R
Sizes	1/2", 3/4"
Connections	NPT
Body Material	Stainless Steel
PMO Max. Operating Pressure	400 PSIG
TMO Max. Operating Temperature	500°F
PMA Max. Allowable Pressure	400 PSIG up to 500° F
TMA Max. Allowable Temperature	500° F @ 400 PSIG

TYPICAL APPLICATION

The **AE1800** Air Eliminator is used for the removal of air and other gases from vessels or piping systems without allowing the contained liquid to escape.

HOW IT WORKS

The valve and seat assembly inside the air eliminator is connected to a stainless steel float. When there is no liquid in the body of the air eliminator, the float will be in the down position allowing air or other gases in the vessel or piping system to escape. When liquid enters the body, it will lift the float and the valve will be closed off before any liquid can escape.

FEATURES

- All stainless steel body & Internals
- Hardened SST seat (55Rc) for longer service life
- Repairable unit available (AE1800R)

INSTALLATION

The AE1800 should be located at a high point in the system or vessel. The unit must be installed level and upright with flow upward for the float mechanism to operate. Isolation valves should be installed for ease of maintenance.

DIMENSIONS – inches / pounds			
Model	Size (Inlet x Outlet)	A	Weight (lbs)
AE1801	3/4" x 1/2"	7	4
AE1801R	3/4" x 1/2"	7 ³ / ₈	5
AE1802	3/4" x 3/4"	7	4
AE1802R	3/4" x 3/4"	7 ³ / ₈	5
AE1803	1/2" x 1/2"	7	4
AE1803R	1/2" x 1/2"	7 ³ / ₈	5

AIR CAPACITIES – (scfm)

Series	Orifice	PMO	Pressure (PSIG)																											
			5	7	9	12	15	20	25	30	40	50	60	70	80	90	100	110	120	125	150	200	250	300	400					
AE1800	.078	400	1.0	1.1	1.3	1.5	1.7	1.9	2.2	2.5	3.1	3.4	3.7	4.2	5.4	6.0	6.8	7.2	7.5	7.9	9.4	12.5	15.4	18.4	24.4					
	.101	300	1.7	1.9	2.1	2.4	2.6	3.1	3.5	4.0	4.8	5.3	5.7	6.6	8.4	9.3	10.2	11.1	12	12.4	14.5	19.1	23.5	28	-					
	.125	150	2.5	3.0	3.4	3.9	4.3	5.1	5.8	6.5	8.0	8.7	9.5	10.9	13.9	15.4	16.9	18.4	19.9	20.5	24.4	-	-	-	-					

When ordering: Specify pipe connections or Model (1801, 1802, 1803) & Orifice size. Orifice size of 0.078 with a Max operating pressure of 400 PSI will be supplied unless otherwise specified.



AE1800
(Non-Repairable)

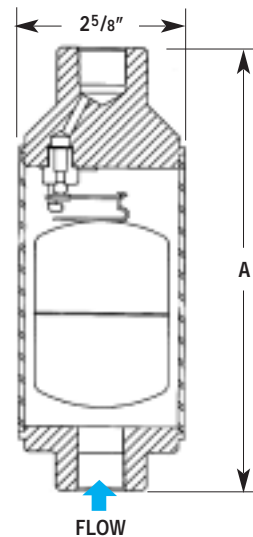


AE1800R
(Repairable)

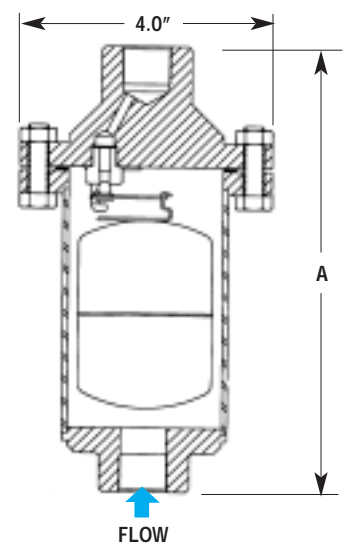
MATERIALS

Body & Shell	Stainless Steel, AISI 304
Float Assembly	Stainless Steel, AISI 304
Valve & Seat Assembly	Hardened Stainless Steel, 55Rc
Seat	Stainless Steel, AISI 420
Washer, Seat	Garlock
*Gasket	Garlock
*Bolt, Hex, HD	Stainless Steel, AISI 316
*Nut	Stainless Steel, 18-8

* AE1800R Repairable unit only



AE1800
(Non-Repairable)



AE1800R
(Repairable)