

LIQUID DRAINERS

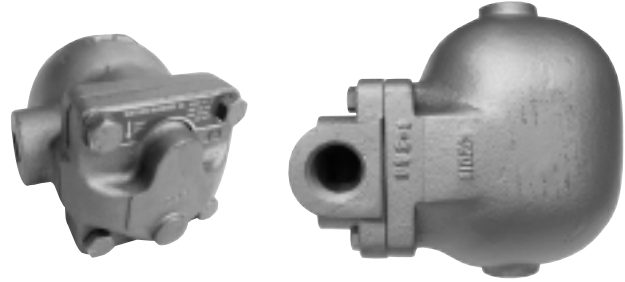
WLD1400 Series

Float Type Liquid Drain Trap

Watson McDaniel reserves the right to change the designs and/or materials of its products without notice.
©2004 Watson McDaniel Company

Revised 9/2004

Model	WLD1400
Sizes	1/2", 3/4", 1", 1 1/2", 2"
Connections	NPT
Body Material	Ductile Iron
PMO Max. Operating Pressure	300 PSIG
TMO Max. Operating Temperature	450°F
PMA Max. Allowable Pressure	300 PSIG UP TO 450 °F
TMA Max. Allowable Temperature	450 °F @ 300 PSIG



TYPICAL APPLICATION

The **WLD1400** is used on air and gas applications as drip traps on piping runs as well as drainage for systems and various process vessels that have light condensate loads.

HOW IT WORKS

This liquid drainer has a float-operated valve that gives the trap a modulating flow characteristic. The amount of liquid flowing into the drainer is sensed by the float which positions the main valve to discharge the liquid at the same rate as it is received.

FEATURES

- In-line repairable
- All stainless steel internals
- Hardened valve seat for longer service life
- Ductile Iron body

SAMPLE SPECIFICATION

The liquid drain trap shall be float operated with a ductile iron body; all stainless steel internals and a hardened valve seat. The unit shall be in-line repairable and equipped with a FNPT threaded connection for the use of a balance line.

INSTALLATION

The installation should include isolation valves to facilitate maintenance and an in-line strainer. The trap must be level and upright for the float mechanism to operate. Trap must be sized and properly located in the system. Piping hook-up must include an equalizing line.

MAINTENANCE

Close isolation valves prior to any maintenance. All working components can be replaced with the drain trap remaining in the line. Repair kits include float, valve seat & disc and gaskets. For full maintenance details see Installation and Maintenance Manual.

COLD WATER CAPACITIES – (lbs/hr)

Model	Size	PMO PSI	Orifice Size	Differential Pressure (PSI)																
				1	2	5	10	15	20	30	40	50	65	75	100	125	145	200	225	300
WLD1412-065	1/2"	65	.157"	250	340	530	730	880	1010	1230	1410	1560	1770							
WLD1413-065	3/4"	65	.157"	250	340	530	730	880	1010	1230	1410	1560	1770							
WLD1414-065	1"	65	.273"	980	1360	2090	2910	3520	4040	4890	5600	6220	7050							
WLD1416-065	1 1/2"	65	.157"	3125	4300	6600	9350	11225	13250	16350	18700	20950	23500							
WLD1417-065	2"	65	.273"	10600	14900	23300	31500	38150	44750	53600	61850	69200	76375							
WLD1412-145	1/2"	145	.100"	110	150	230	320	380	440	530	610	680	770	940	1050	1130	1200			
WLD1413-145	3/4"	145	.100"	110	150	230	320	380	440	530	610	680	770	940	1050	1130	1200			
WLD1414-145	1"	145	.202"	490	670	1040	1440	1750	2000	2430	2780	3090	3500	4290	4760	5110	5350			
WLD1416-145	1 1/2"	145	.100"	1575	2175	3400	4650	5525	6325	7750	8950	9925	11000	12300	13975	15300	16500			
WLD1417-145	2"	145	.202"	3875	5450	8575	11500	12350	13200	20950	24050	27175	31050	34150	38500	42225	45950			
WLD1412-225	1/2"	225	.079"	60	80	130	180	220	250	300	340	380	430	530	590	630	690	740	780	
WLD1413-225	3/4"	225	.079"	60	80	130	180	220	250	300	340	380	430	530	590	630	690	740	780	
WLD1414-225	1"	225	.184"	320	450	690	960	1160	1330	1610	1850	2050	2330	2850	3170	3400	3710	3960	4100	
WLD1416-250	1 1/2"	250	.079"	1000	1375	2150	3050	3600	4100	5025	5775	6400	7300	8050	8900	9750	10550	12450	13150	
WLD1417-250	2"	250	.184"	1900	2675	4250	5850	7000	8225	10050	11595	12950	15125	16700	18300	20200	22100	25850	27100	
WLD1414-300	1"	300	.153"	230	320	500	690	840	960	1170	1340	1480	1680	2060	2290	2460	2680	2860	3020	3460

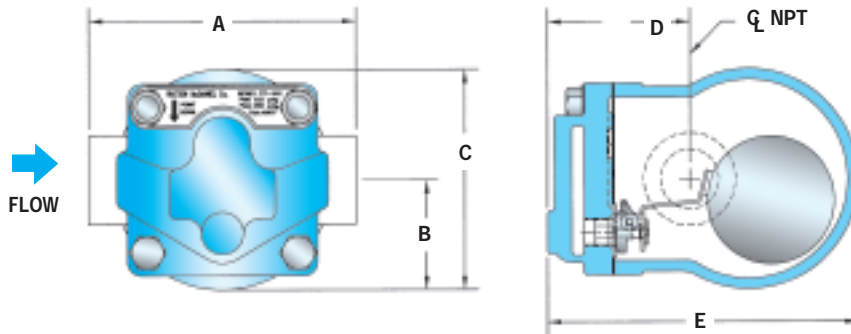
LIQUID DRAINERS

WLD1400 Series

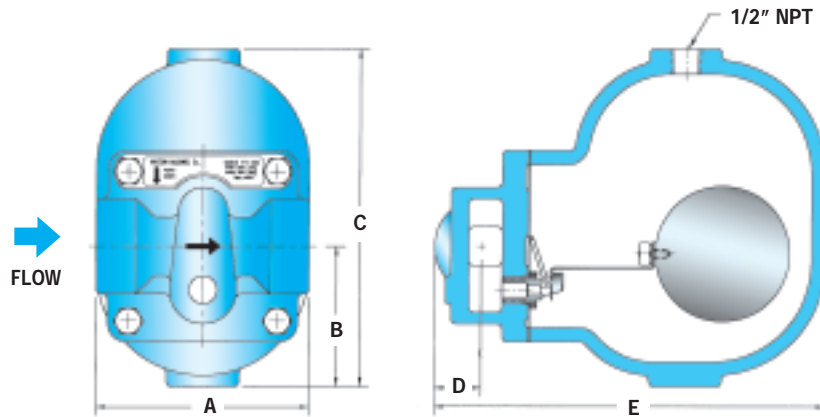
Float Type Liquid Drain Trap

Revised 9/2004

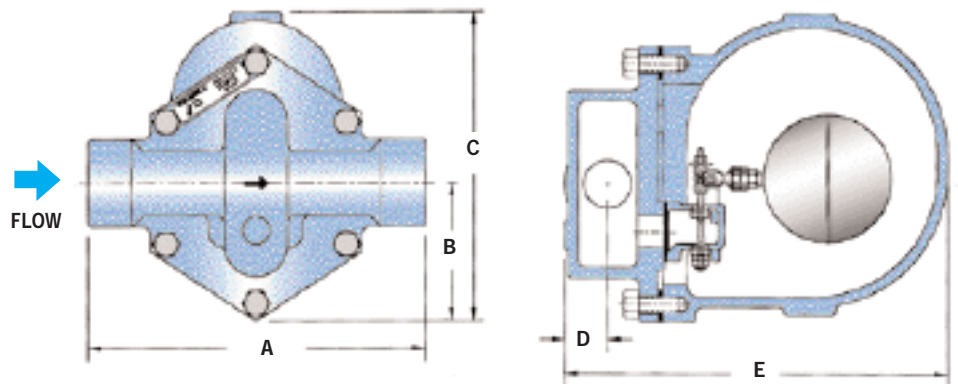
WLD1400
1/2" & 3/4"



WLD1400
1"



WLD1400
1 1/2" & 2"



DIMENSIONS & WEIGHTS – inches/pounds

Size	A	B	C	D	E	Weight
1/2", 3/4"	4.8	1.9	3.9	2.5	5.5	6
1"	4.8	3.1	7.5	1.1	8.8	16
1 1/2"	10.6	4.3	9.6	1.4	12	40
2"	11.9	4.3	9.6	1.4	12	40

HOW TO ORDER

Specify model, pipe size and maximum working pressure. Choose a pressure that is greater than the maximum the trap will see in service. See capacity chart.

MATERIALS

Body & Cover	Ductile Iron
Gasket	Garlock 3400
Cover Screws	Stainless Steel, Gr 5
Float	Stainless Steel, AISI 304
Internals	Stainless Steel, 300 Series
Valve Seat	Stainless Steel, 17-4 PH
Valve Disc	Stainless Steel, AISI 420F