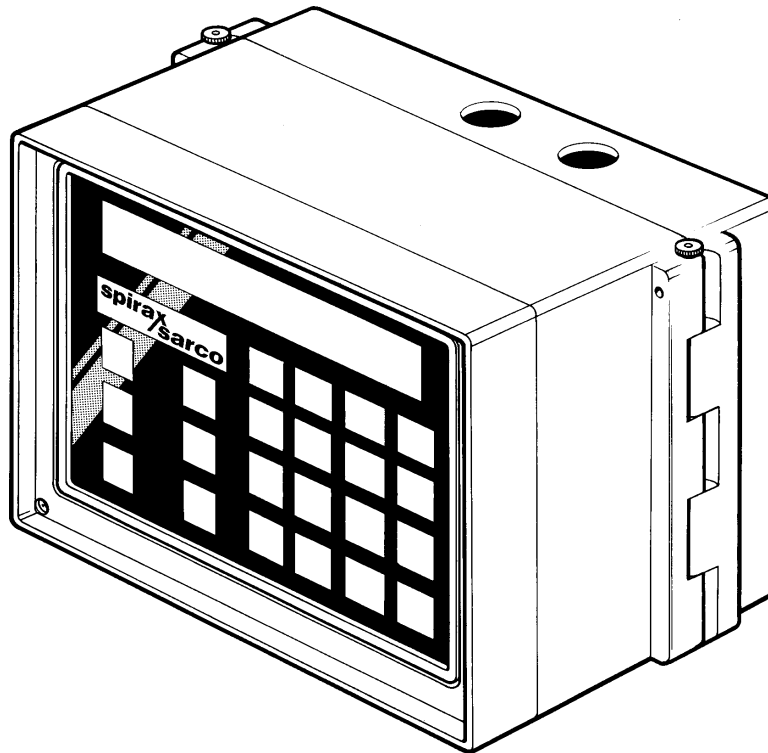


# spirax/sarco®

## M240G Series Steam Flow Computer



### Description

The flow computer receives signals from the various pipeline transmitters and converts them to display flowrate, total flow, temperature and pressure. It can handle inputs from a single flowmeter which may be a Gifflo, Orifice Plate or Vortex Meter. With suitable inputs from Pressure and/or Temperature Transmitters it can be used on saturated or superheated steam.

### Display parameters and other features

Languages	English, French, German, Spanish
Totalized Flow	kg, lb, MJ, KWH
Flow Rate	kg/h, lb/h, Btu/h, KW
Temperature	°C or °F
Pressure	bar g, psig, kPag
Time	
Date	

Operator settable alarm limits are provided to give warning when the flow rate temperature and/or pressure go above or below specified limits. The two relay outputs provided are 240 V ac, 0.5 amp rated for high and low limit alarms. The low limit alarm can be programmed to give a pulsed/digital output, pulse duration 20-260 ms, each pulse equivalent to 1, 10, 100 or 1000 m<sup>3</sup> or kg.

Four independent timers are provided, each capable of being programmed for a single event and to store peak rate and totalized flow for that specific timer. One timer is also capable of repeating the readings for the specified identical period each day, on an 8 day basis until cancelled.

A 4-20 mA analog output channel is provided, for flow rate in kg/h, programmable from the keypad.

An RS232C compatible serial communication port is provided. Security levels are provided by keypad codes to avoid casual tampering. Weatherproof box provided as standard. Panel and Wall Mounting versions available:-

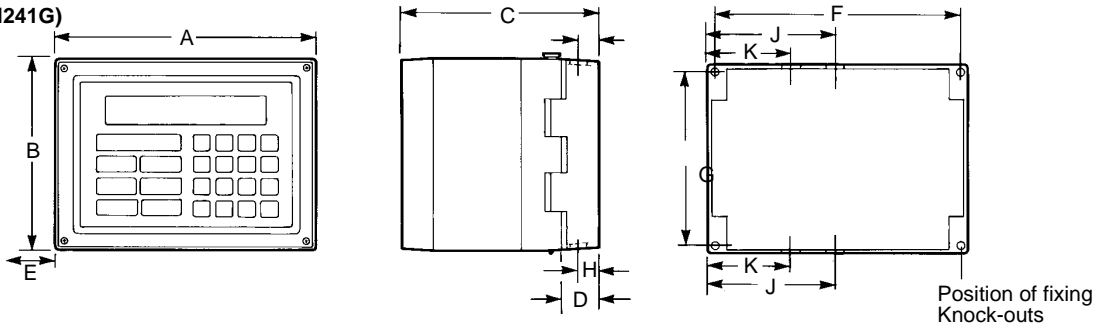
M241G - Wall Mounted : M242G - Panel Mounted.

### Technical data

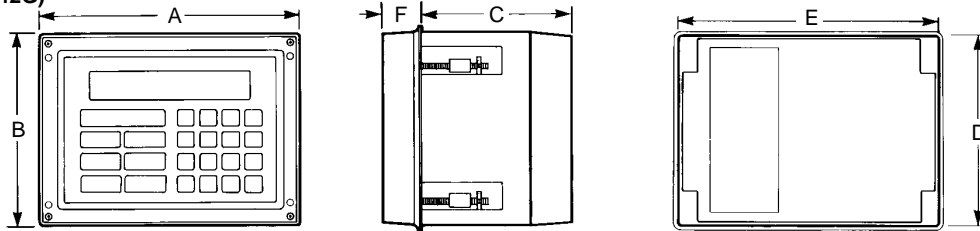
Supply Voltage	220-240V ac, 110V-120V ac or 24V ac at 50/60 hz.
Power consumption	15 Watts maximum.
Ambient Temperature Limits	32 - 104°F ( 0 - 40°C )
Enclosure Rating	NEMA4 (with correct cable glands) <b>Not panel mounted version.</b>
Enclosure Colors & Materials	Charcoal Grey ABS and light grey plastic with steel hinge pins and recessed rubber sealing gaskets.
Battery Reserve	Clock 2 weeks Memory (RAM) 6 months

# M240G Series Steam Flow Computer

## Wall Mounting (M241G)



## Panel Mounting (M242G)



## Dimensions (approximate) in inches

A	B	C	D	E	F	G	H	J	K	Weight
7.3	5.4	6.7	2	5.1	6.7	3.9	0.8	3.6	2	4.4lb
Panel Mounting										
A	B	C	D	E	F	Weight				
7.6	5.7	6.7	5.5	7.3	1.6	4.4lb				

## Maintenance

There are no user serviceable parts.

## Installation

Wall mounting:

4 x 0.2" keyhole shaped knock-outs, in each corner of base.

Panel mounting:

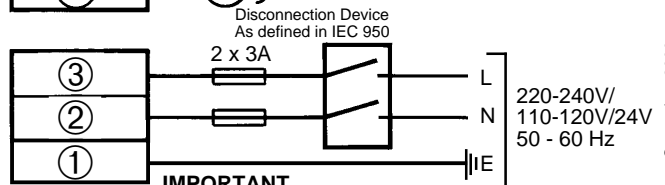
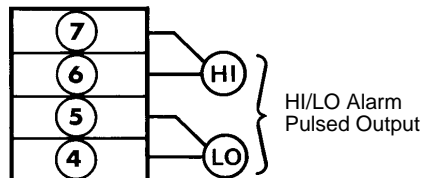
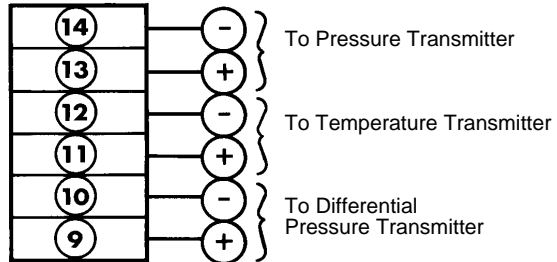
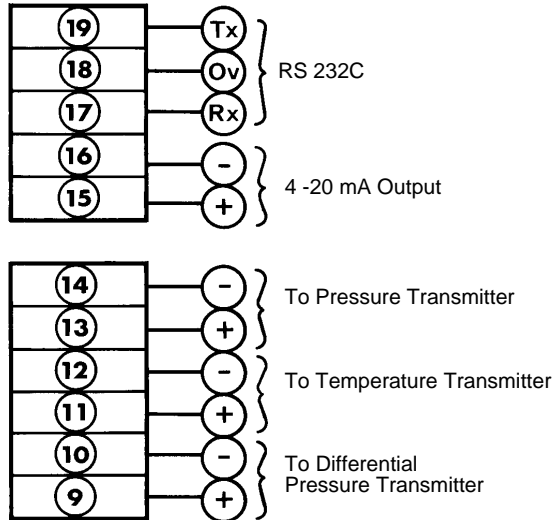
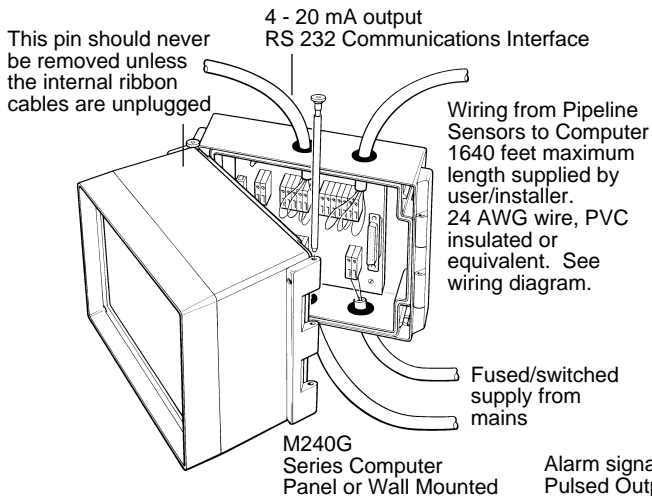
Panel mounting in-fill piece with back clips. Drilled in positions shown on instructions.

Cable Entries:

Cable entry fittings and seals to suit appropriate regulations. Total length connecting wire between M240G Series Computer and pipeline transmitters must not exceed 1640 feet. Cable (supplied by installer) 24AWG. (see wiring diagram) or equivalent. Full Installation, Operating and Commissioning Instructions are supplied with each unit.

## How to specify

Spirax Sarco, Inc. Steam Flow Computer, 120V 50/60 Hz ac supply, M241G Wall Mounting.



**IMPORTANT**  
The fuse in the neutral line must not be fitted if the neutral line is at earth potential.

TIS 8.300 US 01.00