

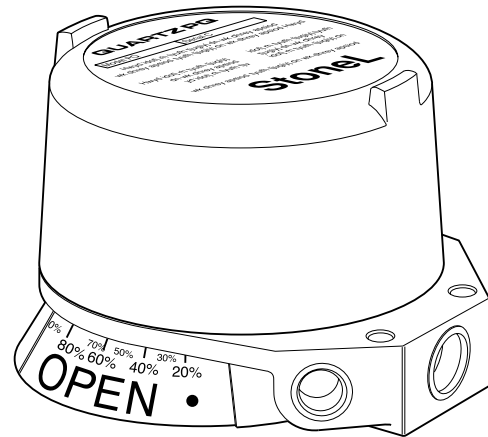
spirax sarco®

Stonel Limit Switch

DESCRIPTION

The Stonel Limit Switch is for use with the K Series pneumatic control valves and PN5000/6000 actuators. It is mounted on the PN5000/6000 actuators and can provide visual indication if the valve is fully open, fully closed, partially open (0-100%) or partially closed (0-100%). By comparing flow rates over time with your valve position, you can determine valve wear.

The Stonel Limit Switch provides a precise 4-20mA signal on a two-wired DC loop to provide exact valve position.



TECHNICAL DATA

MODEL No. PQ2SE2R

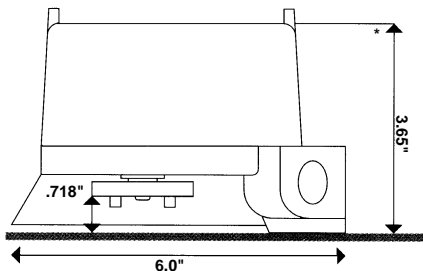
Function	2 switches
Switch Data	SPDT. Maxx-Guard LED
Junction Features	(1) 3/4" NPT and (1) 1/2" NPT conduit entries
Visual Indicator	OPEN - Green CLOSED - Red
Enclosure Rating (Aluminum Cover)	Factory Mutual and Canadian Standards approved for: Class I: Groups C & D. Divisions 1 and 2. Class II: Groups E, F, G. Division 1. Class II: Groups F & G. Division 2. NEMA 4, 4X and 6
Output Signal	Two wire, 4-20mA
Recommended Supply	24VDC, 50mA minimum
Voltage Range	10 to 40 VDC at terminals
Span Range	Adjustable from 50° to 270°
Maximum Loading	700 ohms @ 24VDC
Rotation	Selectable clockwise or counterclockwise

CONSTRUCTION MATERIALS

Part	Material
Cover Features	Epoxy coated anodized aluminum cover (optional clear Lexan cover)
O-Ring Seals	Viton
Shaft and Drive	All materials are 303 or 316 stainless steel
Internal Fasteners	Stainless Steel

MAXX-GUARD SPECIFICATIONS

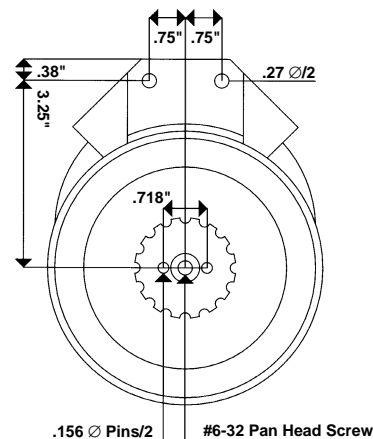
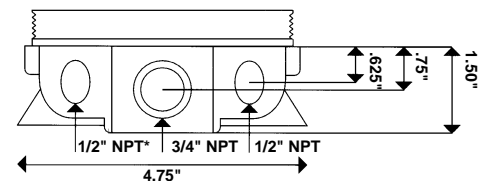
Sensors	SPDT
Electrical Ratings	0.3A @ 120VAC
Temperature Range	-23 to 180°F (-30° to 82°C)
Seal	Hermetically Sealed
Operating Life	10,000,000 cycles
Maximum Voltage	3.5 volts @ 10 mA
Drop	6.5 volts @ 100 mA
Minimum Current for LED Illumination	2.0 mA



* The 1/2" Conduit Entry is Located on the Left Side of the 3/4" Conduit Entry

INSTALLATION

Full details are contained in the appropriate Installation & Maintenance Instructions supplied with the product.



Local regulation may restrict the use of this product below the conditions quoted. Limiting conditions refer to standard connections only.
In the interests of development and improvement of the product, we reserve the right to change the specification.

TIS 1.617 US 06.98