

spirax/sarco®

EL2300 Single Loop Temperature Controller

DESCRIPTION

The EL2300 controller is a 1/4 DIN panel mounted single-loop controller suitable for constant set point applications and for use with the Spirax Sarco range of pneumatic and electric series actuators, valves and sensors.

Standard Model Number: 230B-C0-0A-10-0000B00-00-0

TECHNICAL DATA

Mounting Arrangement	Panel mounted 1/4 DIN
Power Supply	90 to 264 VAC, 50/60 Hz, 24 VAC/DC optional
Power Consumption	6 VA
Front Protection	IP65/NEMA 3 hose down rating
Accuracy	± 0.25% of span
Analog Inputs	1 universal input: T/Cs, 100PT RTD, mA, mV or volts. Optional 2nd input: 1-5 volts or 4-20mA
Communications	RS485 ASCII, Modbus RTU (configurable)
Input sampling rate	6 times per second
Alarms	Up to two 5 - amp SPDT relays
Output	4 - 20 mA current output

FEATURES

Easy to Configure - A bright dedicated configuration display provides straightforward multilanguage prompts that allow easy set-up with minimum time and effort.

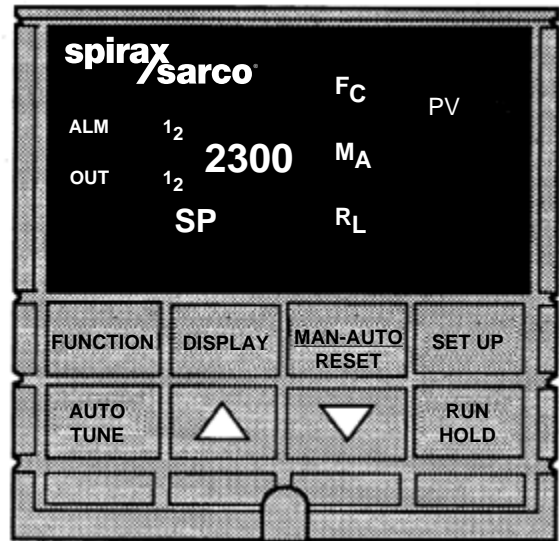
Autotune - This standard feature provides plug and play tuning algorithm, which will, at the touch of a button or through digital input, accurately identify and tune any process including those with deadtime and integration processes.

Fuzzy Logic - This feature uses fuzzy logic to suppress process variable overshoot which can result from setpoint changes or externally induced process disturbance. It operates independently from Autotune. It can be enabled or disabled.

Universal Inputs - Accepts RTD's, mA, mV or voltage input through simple configurations (other inputs also available).

Thermocouple Failsafe - Configurable for upscale or downscale burnout or failsafe output level.

Dual Setpoints - Simple push-button selection allows quick switchover from primary to alternate setpoint.



INSTALLATION AND COMMISSIONING

Installation and commissioning should be carried out in accordance with the instructions supplied with each controller.

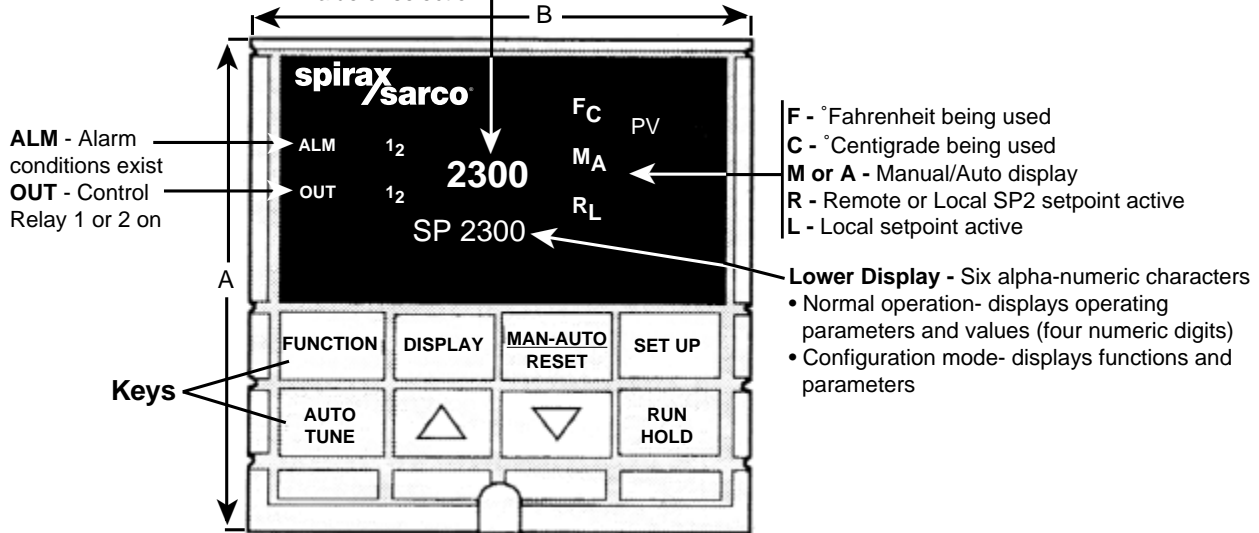
MOUNTING ARRANGEMENTS

Controllers are panel mounted as standard using the brackets provided with the units.

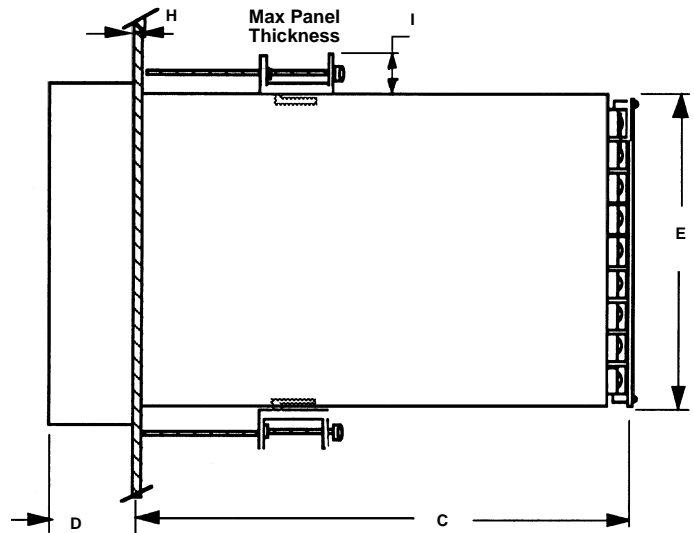
Consult factory for other options.

EL2300 Single Loop Controller

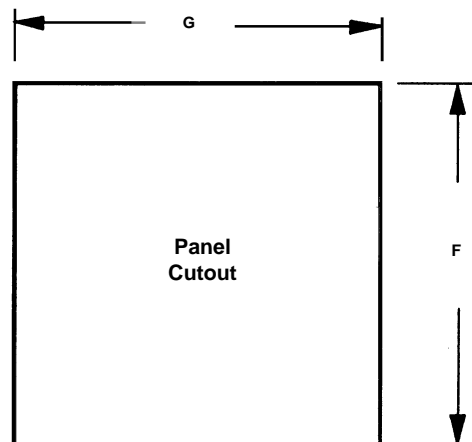
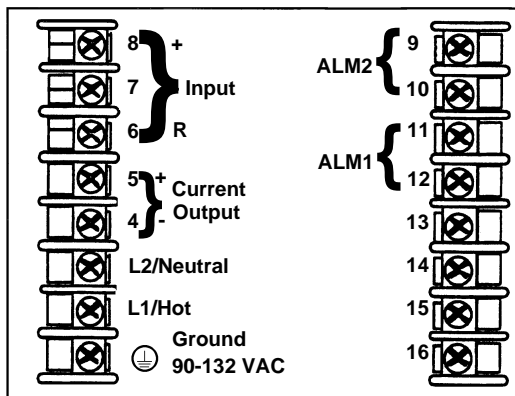
Upper Display - Four digits
 • Normal operation -Process Variable
 • Configuration mode- displays parameter value or selection



DIMENSIONS (NOMINAL) IN INCHES AND MILLIMETERS				
Controller				
A	B	C	D	E
3.78"	3.78"	4.19"	0.826"	3.57"
96	96	105.4	21	90.7
Panel Mounting Cut Out				
F	G	H	I	
3.62"	3.62"	.945"	.394"	
92	92	24	10	



EL2300 WIRING DIAGRAM



TIS 1.614 US 08.99