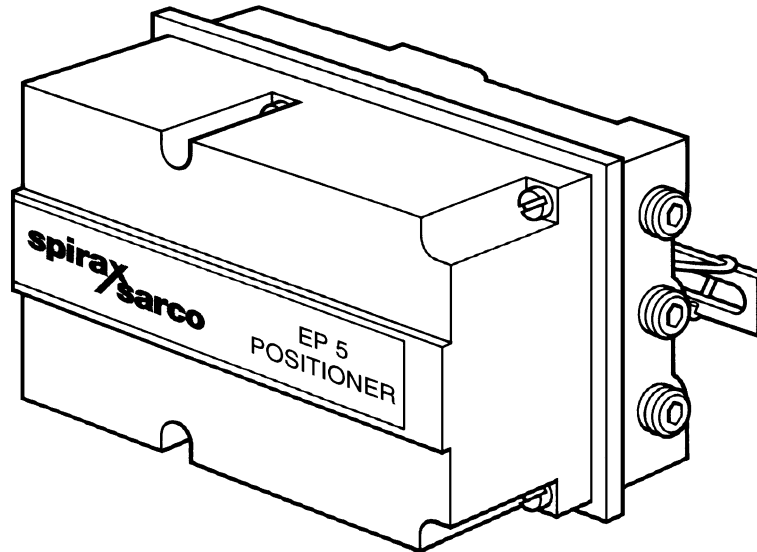


spirax/sarco®

EP5 Electro Pneumatic Positioner ISP5 Intrinsically Safe E/P Positioner



DESCRIPTION

The EP5 is a 2-wire Positioner requiring a 4-20 mA input signal, and is for use with linear pneumatic actuators. The positioner compares the electrical signal from a controller with the valve position feedback, and varies a pneumatic output signal to the actuator accordingly. The valve position is therefore guaranteed for any controller output signal and the affects of varying differential pressure, stem friction and diaphragm hysteresis are overcome. A mounting kit is supplied with each positioner for mounting to either columns or yoke in accordance with NAMUR standards.

The positioners can be used with the following actuators:
PN5000 Series (see TIS 1.512)
PN6000 Series (see TIS 1.513)

TECHNICAL DATA

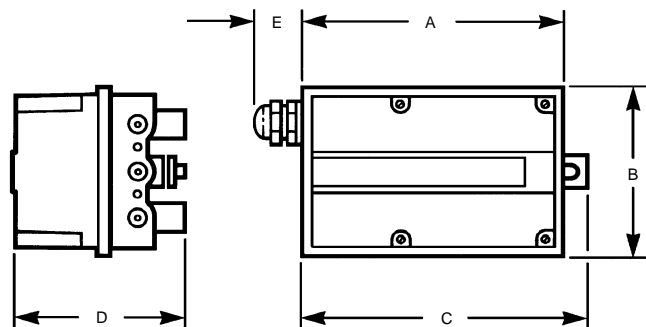
Input signal range	4-20 mA
Output signal range	0 to 100% supply air pressure
Supply air pressure	20 to 90 psig (1.4 to 6 barg)
Stroke range	.4" to 4" (10 to 100 mm)
Sensitivity	Less than 0.2% span
Linearity	1.0% span
Hysteresis	Less than 0.5%
Input impedance	200 ohms
I Max	50 mA
Temperature Limitations	0 to 175° F (-15 to +65°C)
Enclosure rating	IP54 (approximate equivalent of Nema 3 enclosure) ISP4 Intrinsically safe to EEx.ia IIC T6.T5.T4 (CESI) (approximate equivalent of FM Class I and II, Div. 1, Groups A, B, C, D)
Air consumption	13.06 ft ³ /h at 90 psi (0.7 m ³ /h at 6 bar)
Pneumatic connections	1/4" NPT
Electrical connections	PG 13.5

HOW TO SPECIFY

1- EP5 Electro pneumatic positioner.

DIMENSIONS (NOMINAL) IN INCHES AND MILLIMETERS

A	B	C	D	E	Weight
6.5	4.3	7.0	4.3	1.0	5.5 lb
165	110	175	110	30	2.8 kg



MATERIALS

Body and cover

Die cast aluminum with
anti corrosive paint

EP5 Electro Pneumatic Positioner

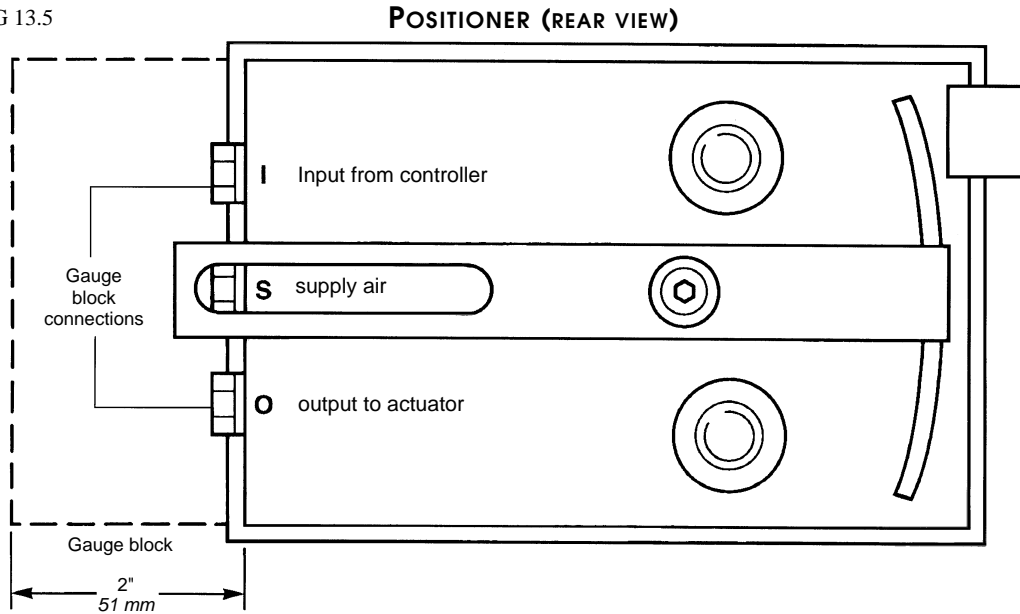
ISP5 Intrinsically Safe E/P Positioner

INSTALLATION

Full details are contained in the appropriate Installation & Maintenance Instructions supplied with the product.

AIR & ELECTRICAL CONNECTIONS (rear view)

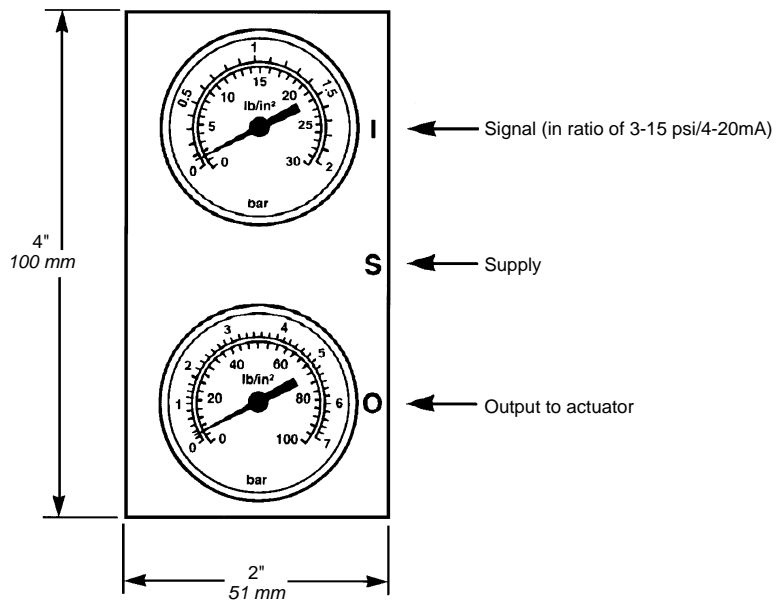
Air Connection 1/4" NPT
Cable Connection PG 13.5



SPARES

Gauge	0-30 psi output
Gauge	0-60 psi output
Gauge	0-120 psi output
Springs and pneumatic tube set	
Set of gaskets, diaphragms and orifice	
Amplifying relay set	
Block for gauges	

GAUGE BLOCK (FRONT VIEW)



TIS 1.611 US 07.97