

spirax/sarco®

EL5060/5061 Series Electric Actuators (Spring Reserve) 1/2" to 3" K & L Series Valves

Description

The EL5660/5061 Series actuators are reversible actuators having a linear output with power fail, spindle extend. These actuators are suitable for either two position or modulating control dependent on the controller or other switching device providing the input signal. These actuators can be used with the following valves:

2-port K & L Series Valves
Note: Fixing kit EL3806 is required when using 1/2" to 2" L and K Series

Available types

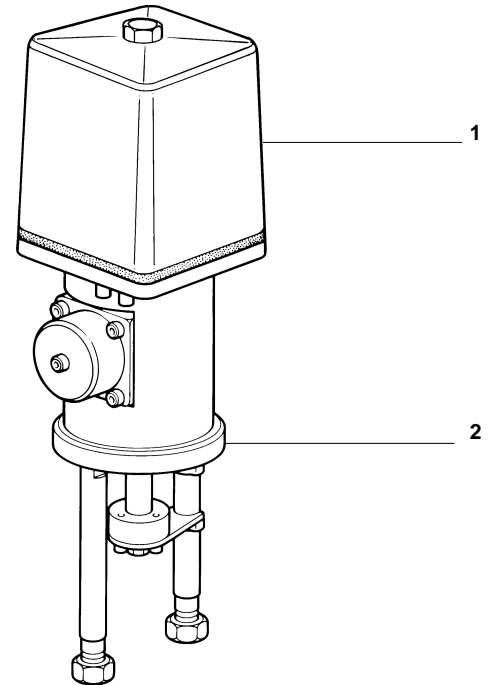
Actuator Operation	Actuator Type
Spring Reserve 220/240 Volt	EL5060
Spring Reserve 24 Volt	EL5061
Spring Reserve 110 Volt	EL5062

Dimensions approximate in inches (mm)

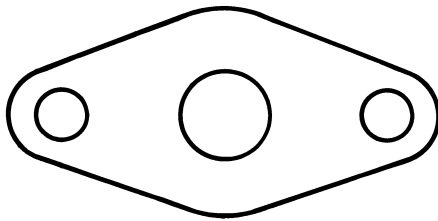
Model	A	B	Weight
EL506_	18.1 (445)	6.6 (162)	15.1 lbs (8.7 kg)

Materials

No.	Part	Material
1	Case EL5060/EL5061	Polycarbonate
2	Housing	Steel



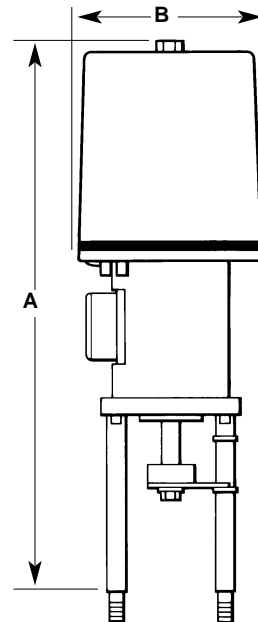
EL 506_



EL 3806 Fixing Kit
(For use with 1/2" to 2" L & K Series Valves)

Technical data

Model	EL506_
Supply voltage	220/240, 110 or 24 volt
Supply frequency HZ	50 Hz
Power consumption	6.8w (run) 15w (hold)
Enclosure rating	IP54
Actuator speed mm/s	0.29 Under power
Ambient limits	0-50°C
Reseat time	8.5 1-3/16" (30mm) stroke
at no voltage (seconds)	5.5 3/4" (20mm) stroke
Motor	Split phase capacitor reversing
Terminations (accept)	1 x 4mm ² cable
Transfer switching	5A, 250Vac (2 switches)
Conduit entries	4 x Pg11 connections with plastic covers



EL5060/5061 Series Electric Actuators (Spring Reserve)

How to select L & K Series Valves

EL5000	Actuator	Actuator	Valve Size and Maximum Closing Pressures (psi)								
			20mm travel				30 mm travel				
Spring	Voltage	Speed	1/2"	3/4"	1"	1-1/4"	1-1/2"	2"	2-1/2"	3"	
Return	AC/50Hz	mm/s	0.47	1.17	7.4	11.7	18.7	29	42	74	117
			1.8	4.7							
EL5060	220/240	0.29	260	260	150	105	50	30	15	7	
EL5061	24	0.29	260	260	150	105	50	30	15	7	
EL5062	110	0.29	260	260	150	105	50	30	15	7	

Selection example

Control Valve - 1/2" KEA43, ANSI 150
 Max ΔP - 150 psi
 Electrical Supply - 240Vac
 Actuator Selected - EL 5060
 EL3806 Linkage

Installation and wiring

The actuator should preferably be mounted above the valve, but in any case should not be mounted below it. Ensure the actuator is coupled to the valve before power is applied and wiring meet local regulations.

How to specify

1 — EL 5060 Spring Reserve Actuator

Wiring diagram for power fail return actuators: EL5060 & EL 5061

