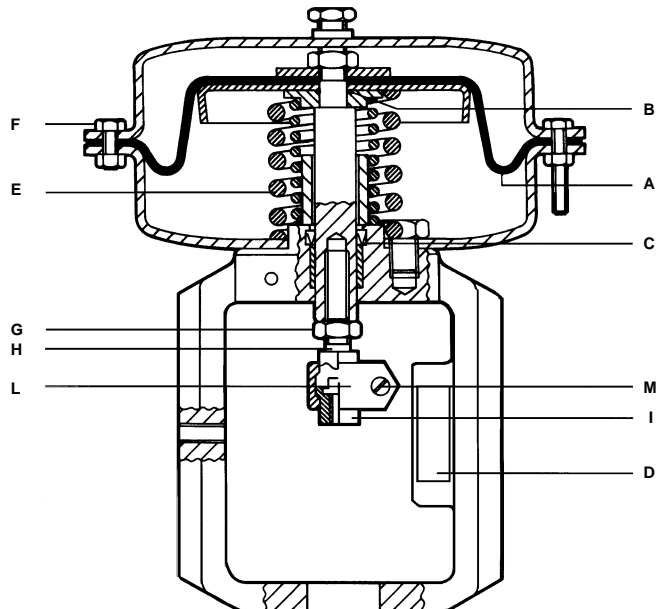
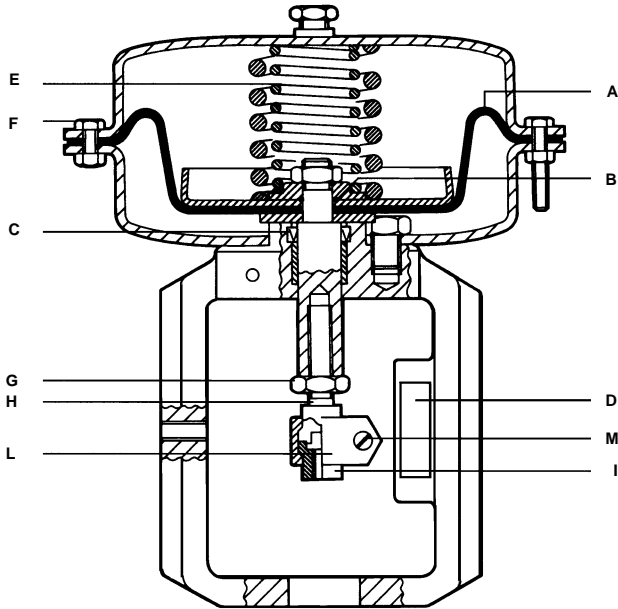


spirax sarco®

PN 3000 and PN 4000 Pneumatic Actuators for LE Valve Spares



SPARE PARTS

PN 3000

The spare parts available are indicated by capital letters. The other parts are not supplied as spares.

PN 4000

The spare parts available are indicated by capital letters. The other parts are not supplied as spares.

AVAILABLE SPARES

Stem Seal Kit ('O' Ring and 'V' Ring)	B, C
Diaphragm Kit (Diaphragm, 'O' Ring and 'V' Ring)	A, B, C
Travel Indicator Kit	D
Spring Kit (Set of Springs - includes 3 longer hex head bolts and nuts on some spring ranges)	E, F
Linkage Kit (lock nut, top adaptor, bottom adaptor connectors, bolts and nuts)	G, H, I, L, M

AVAILABLE SPARES

Stem Seal Kit ('O' Ring and 'V' Ring)	B, C
Diaphragm Kit (Diaphragm, 'O' Ring and 'V' Ring)	A, B, C
Travel Indicator Kit	D
Spring Kit (Set of Springs - includes 3 longer hex head bolts and nuts on some spring ranges)	E, F
Linkage Kit (lock nut, top adaptor, bottom adaptor connectors, bolts and nuts)	G, H, I, L, M

HOW TO ORDER

Always order spares by using the description in the column headed Available Spares and stating the actuator type.

Example - Stem seal kit for PN 3220 pneumatic actuator.

HOW TO ORDER

Always order spares by using the description in the column headed Available Spares and stating the actuator type.

Example - Stem seal kit for PN 4220 pneumatic actuator.