

spirax/sarco®

PN5000 and PN6000 Series Pneumatic Actuators Spares

SPARE PARTS

The spare parts available are in heavy outline. Parts drawn in broken line are not supplied as spares.

These spares are for PN5100 and PN6100 series single spring actuators.
For PN5200, 5300, 5400, 5500, 5600, 6200, 6300, 6400, 6500, and 6600 series multi-spring actuators see other side of page.

AVAILABLE SPARE

Stem seal kit (Piston guide bearing and 'O' Ring)	A, C, H
Diaphragm kit (Diaphragm, Nyloc Nut, Washer, and "O" Ring)	D, E, F, H
Travel Indicator kit (2 off Indicators)	G
Spring kit (Spring - includes 3 off longer Hex. Head screws, washers and nuts on some spring ranges)	B, J

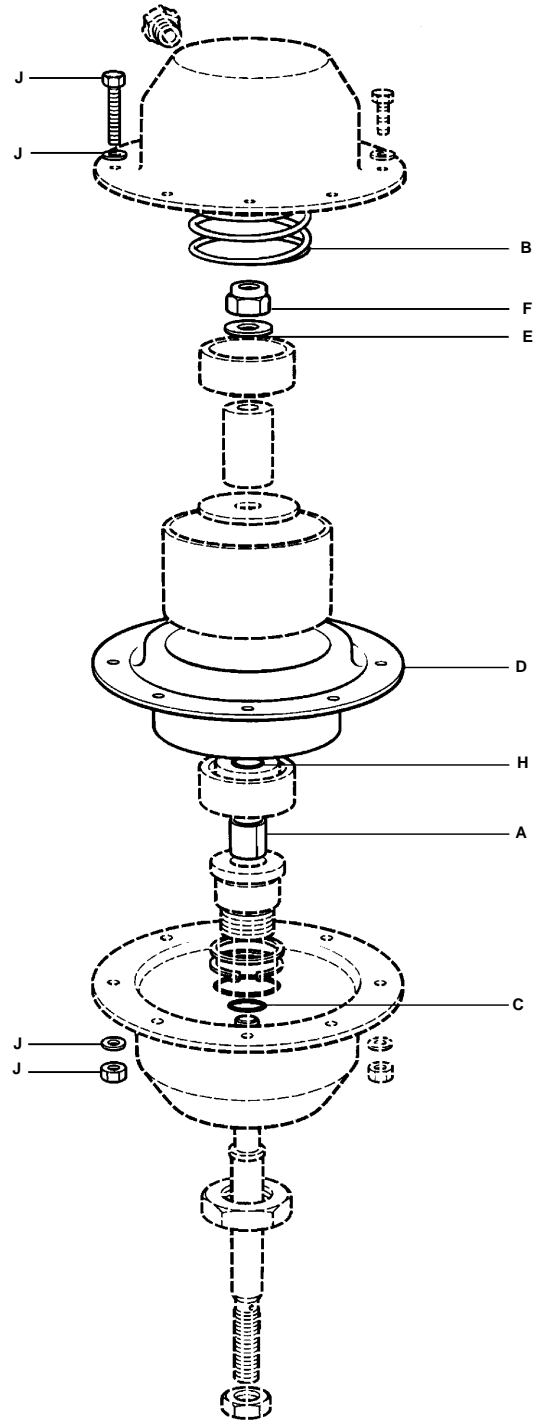
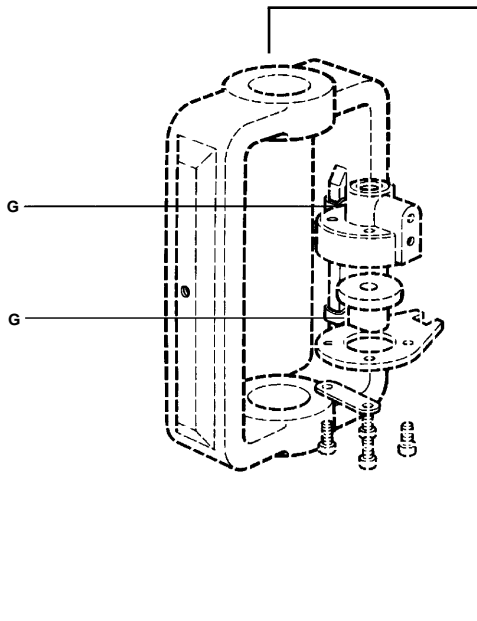
HOW TO ORDER

Always order spares by using the description given in the column headed Available Spare and stating the actuator type.

Example: 1 - Stem seal kit for PN5120 pneumatic actuator.

HOW TO FIT

Full fitting instructions are given in the operating and maintenance instructions supplied with the actuator.



PN5000 and PN6000 Series Pneumatic Actuators Spares

SPARE PARTS

The spare parts available are in heavy outline. Parts drawn in broken line are not supplied as spares.

These spares are for PN5200 , 5300, 5400, 5500, 5600, 6200, 6300, 6400, 6500 and 6600 Series multi-spring actuators.
For PN5100 and 6100 Series single spring actuators see overleaf.

AVAILABLE SPARE	
Stem seal kit (Piston guide bearing and 'O' Ring)	A, C, H
Diaphragm kit (Diaphragm, Nyloc Nut, Washer & "O" Ring)	D, E, F, H
Spring kit (Spring - includes 3 off longer Hex. Head screws, washers and nuts on some spring ranges)	B, J
Travel Indicator Kit (2 pieces)	G

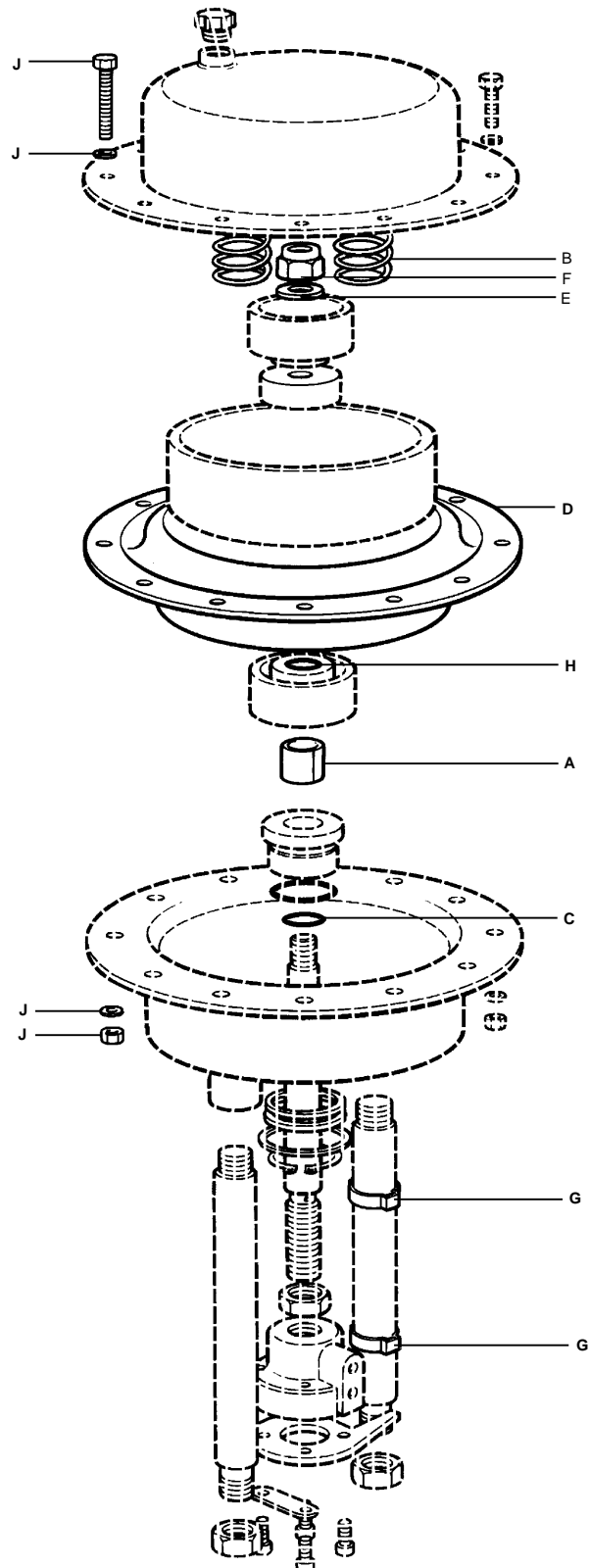
HOW TO ORDER

Always order spares by using the description given in the column headed Available Spare and stating the actuator type.

Example: 1 - Stem seal kit for PN5220 pneumatic actuator.

HOW TO FIT

Full fitting instructions are given in the operating and maintenance instructions supplied with the actuator.



TIS 1.514 US 01.96