

spirax /sarco®

EL5650 Series Electric Actuators 6" to 8" K Series Valves

Description

The EL5600 series electric actuators are reversible having linear output.

Available types

The actuators are available with 3 supply variants, 230 Vac, 115 Vac and 24 Vac. The standard version is suitable for VMD (Value Motor Drive) input power signal. If required the actuator can be fitted with a positioner input card that can accept (4 - 20 mA or 2 - 10 Vdc) control signals. All the actuators are fitted as standard with 1 k Ω potentiometer. This can either be used in conjunction with the positioner for 2 - 10 V or 4 - 20 mA input signals, or as feedback for VMD. Also available are auxiliary limit switches and anti-condense heater. See TIS 1.520 for further details on the accessories.

These actuators can be used with the following valves, in conjunction with a mounting flange EL5973 and valve adaptor EL5946.

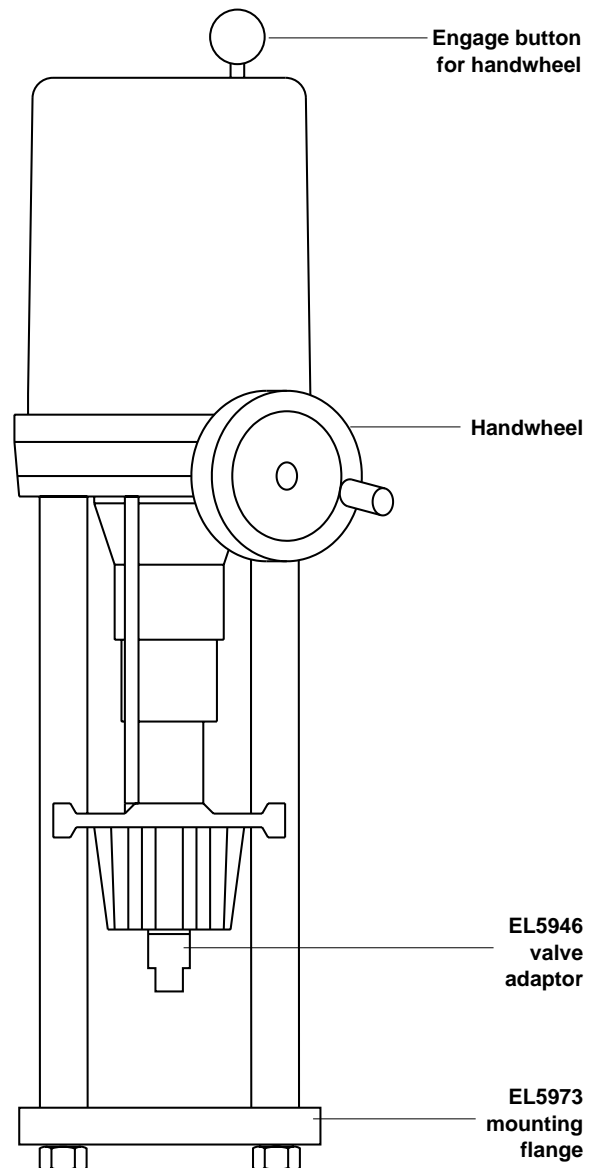
2-port **6" & 8" K Series Valves**

Technical data

Model	EL5651	EL5652	EL5653
Supply voltage	230 Vac	115 Vac	24 Vac
Supply frequency HZ	50 / 60 Hz		
Power consumption	142 VA		
Enclosure rating	IP65		
Actuator speed mm/s	1 mm/s		
Actuator thrust	18.5 ft. lbs (25 kN)		
Ambient limits	-4° to 140°F (-20 to +60°C) or -4° to 120°F (-20 to +50°C) with positioner card fitted		
Motor	Asynchronous capacitor reversing motor		
Terminations	1.5 mm ²		
Manual override	Handwheel		
Conduit entries	3 x PG16		
Positioner power consumption	1 VA		

Approvals

This equipment is CE marked, and conforms to EN 50081-1 and EN 50082-2 (EMC). EN 61010-1/A2 (Safety), following the provisions of directives 89/336/EEC amended by 92/31/EEC and 93/68/EEC (EMC) and 72/73/EEC amended by 93/68/EEC (LVD).



EL5650 Series Electric Actuators

EL5650 actuator maximum closing pressures in psi for K Series Valves

Valve size	6"				8"			
Travel (mm)	2" (50)	1-3/16" (30)			2" (50)	1-3/16" (30)		
Valve seat sizes	Full	Reduced C _{VS}			Full	Reduced C _{VS}		
	C _{VS}	No.1	No.2	No.3	C _{VS}	No.1	No.2	No.3
Maximum ΔP in psi	160 (155)	235 (230)	355 (350)	550 (540)	90 (85)	160 (155)	235 (230)	355 (350)

Note: Differential pressures are shown in brackets for a valve with graphite (H) stem sealing. Actuators should be sized against C_{VS} rather than valve size.

Selection example

Control valve	6" KEA43 ANSI 150 2 port valve
Maximum ΔP	110 psi
Electrical supply	115 Vac
Control signal	4 - 20 mA
Actuator selected	EL5652
Positioner required	EL5962
Valve adapter	EL5946
Mounting flange	EL5973

Dimensions approximate in inches (mm)

Weight 44 lbs (20 kg)

